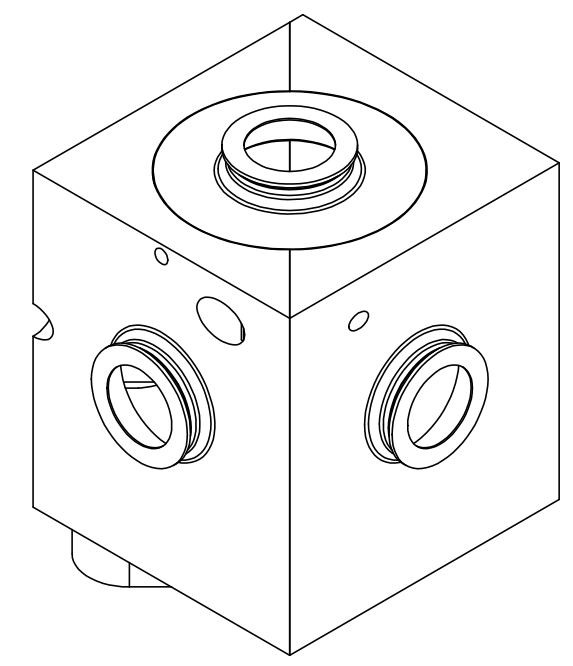
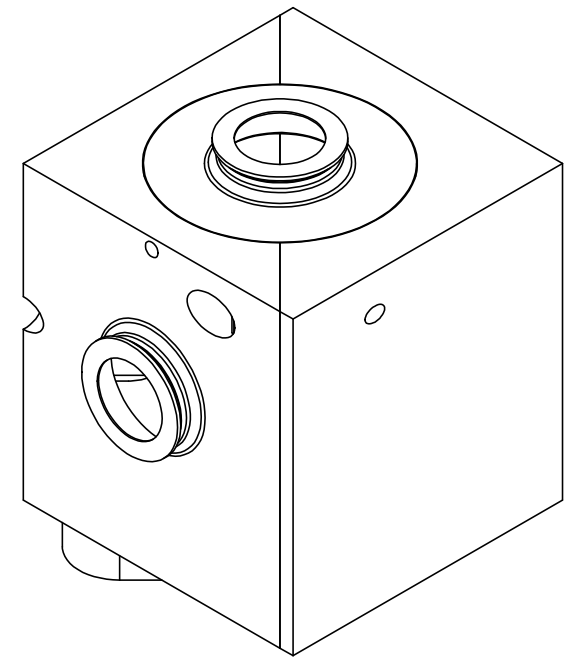
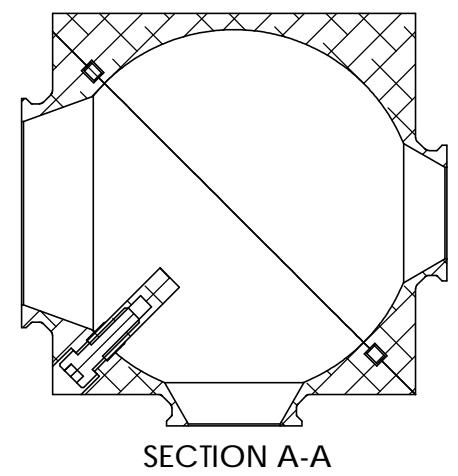
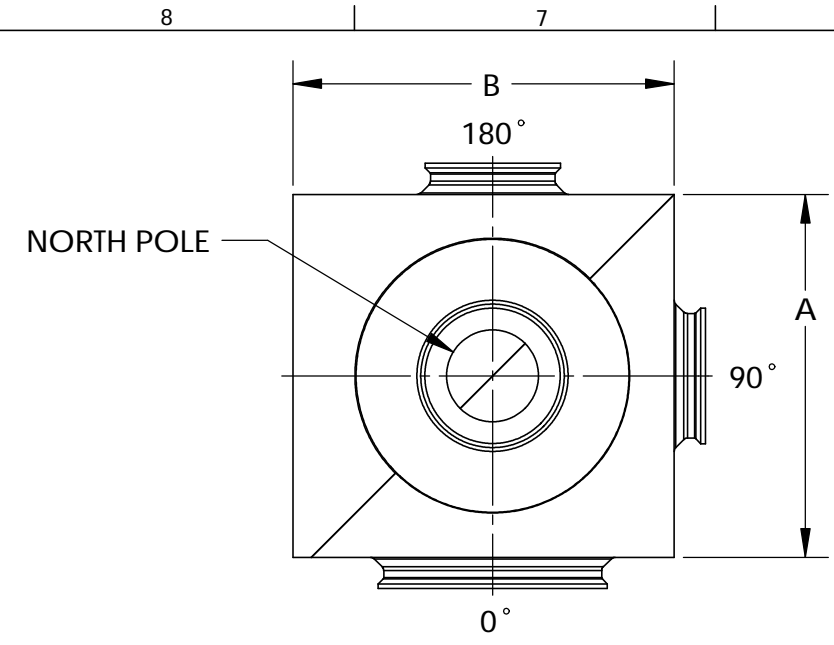
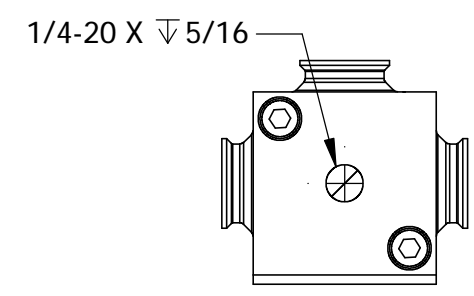
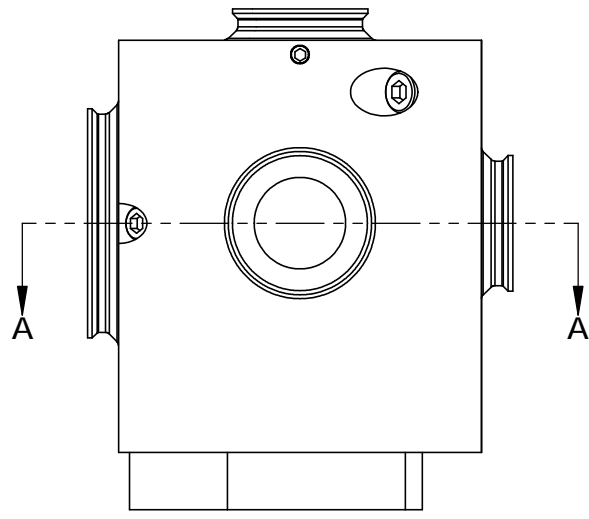
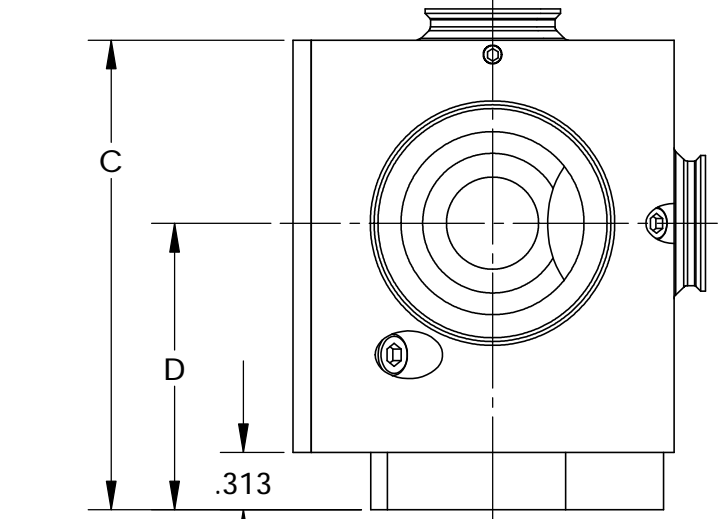


REVISION			
REV	DESCRIPTION	DATE	APVD
A	INITIAL RELEASE	10/7/03	CDS

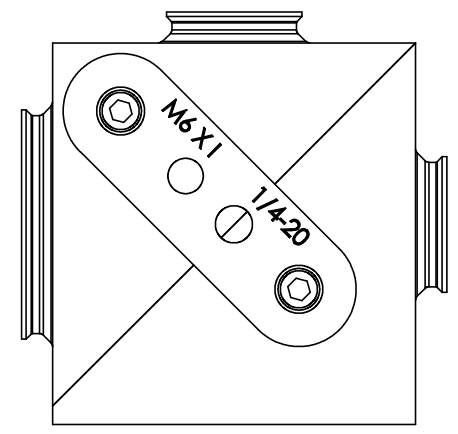


3 PORT CONFIGURATION

4 PORT CONFIGURATION



MOUNTING CONFIGURATION  
1" SPHERE ONLY



MOUNTING CONFIGURATION  
2" SPHERE ONLY

NOTE - DIMENSIONS SUBJECT TO CHANGE WITHOUT NOTICE.

Model	Part Number	Dimensions [inches]				Port Diameters [inches]			
		A	B	C	D	0 Deg.	90 Deg.	180 Deg.	North Pole
3P-GPS-010-SF	AS-02251-010	1.050	1.050	1.438	0.938	0.25	0.25	n/a	0.25
3P-GPS-010-IG	AS-02301-010	1.050	1.050	1.438	0.938	0.25	0.25	n/a	0.25
4P-GPS-010-SF	AS-02261-010	1.000	1.050	1.438	0.938	0.25	0.25	0.25	0.25
4P-GPS-010-IG	AS-02311-010	1.000	1.050	1.438	0.938	0.25	0.25	0.25	0.25
3P-GPS-020-SF	AS-02252-020	2.080	2.080	2.563	1.563	1.00	0.50	n/a	0.50
3P-GPS-020-IG	AS-02302-020	2.080	2.080	2.563	1.563	1.00	0.50	n/a	0.50
4P-GPS-020-SF	AS-02262-020	1.980	2.080	2.563	1.563	1.00	0.50	0.50	0.50
4P-GPS-020-IG	AS-02312-020	1.980	2.080	2.563	1.563	1.00	0.50	0.50	0.50

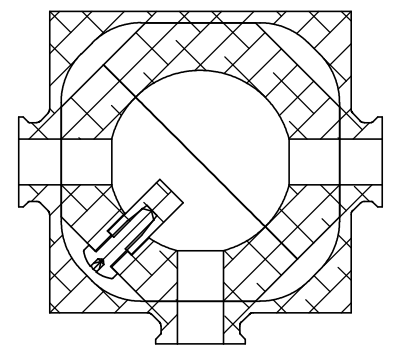
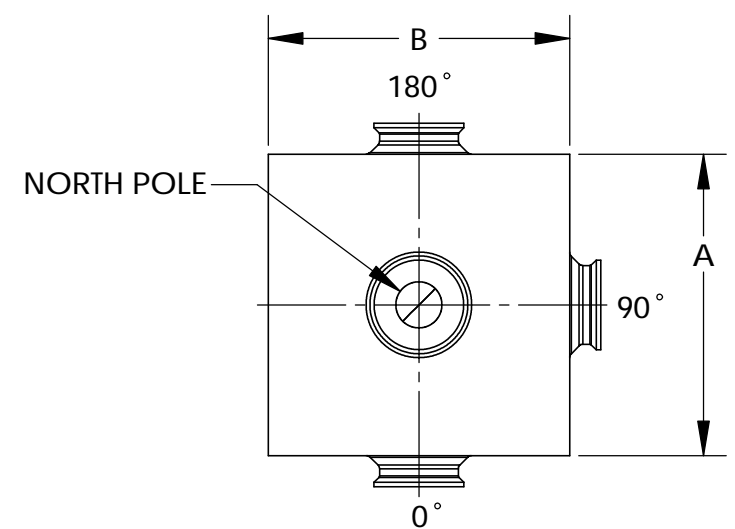
UNLESS OTHERWISE SPECIFIED  
DIMENSIONS ARE IN INCHES  
TOLERANCES ARE:  
FRACTIONS DECIMALS ANGLES  
±1/64 .XX = ±.01 ±30'  
.XXX = ±.005

THE INFORMATION CONTAINED  
IN THIS DRAWING IS THE SOLE  
PROPERTY OF labsphere, INC.  
ANY REPRODUCTION IN PART OR  
IN WHOLE WITHOUT THE WRITTEN  
PERMISSION OF labsphere, INC.  
IS PROHIBITED

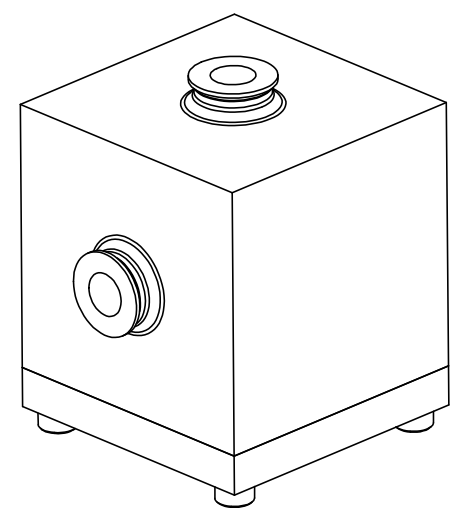
**labsphere**  
PO BOX 70, NORTH SUTTON, NH 03260

CAD GENERATED DRAWING, DO NOT MANUALLY UPDATE		<b>3P &amp; 4P-GPS-CUBE-SF &amp; IG</b>	
MATERIAL	--	APPROVALS	DATE
FINISH	--	RESP ENG C. SHAFFER	10-3-03
DO NOT SCALE DRAWING		CHECKED/APPRVD	
		SIZE	B
		SCALE	n/a
		DWG. NO.	3P & 4P-GPS-CUBE-SF & IG
		SHEET 1 OF 1	REV. A

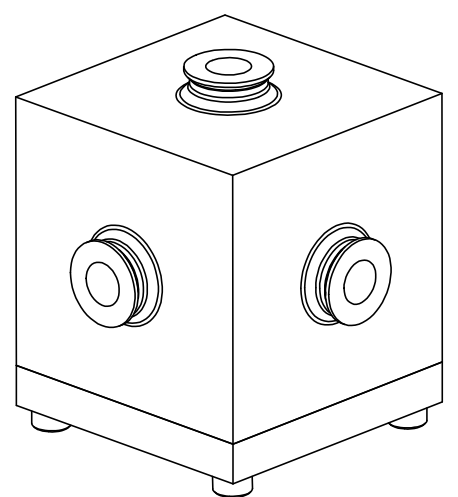
REVISION			
REV	DESCRIPTION	DATE	APVD
A	INITIAL RELEASE	10/7/03	CDS



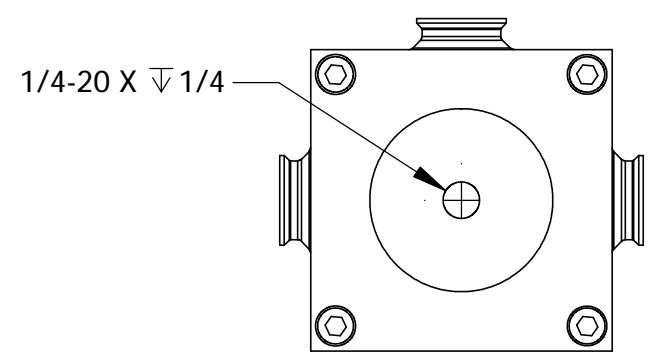
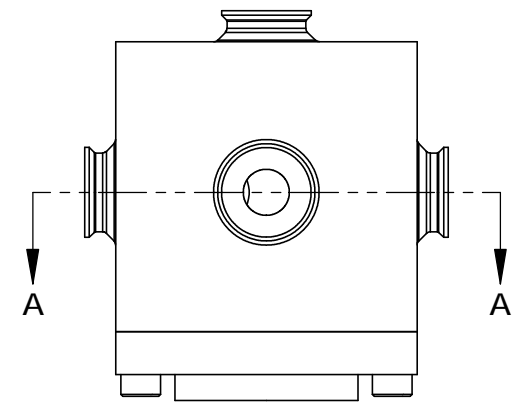
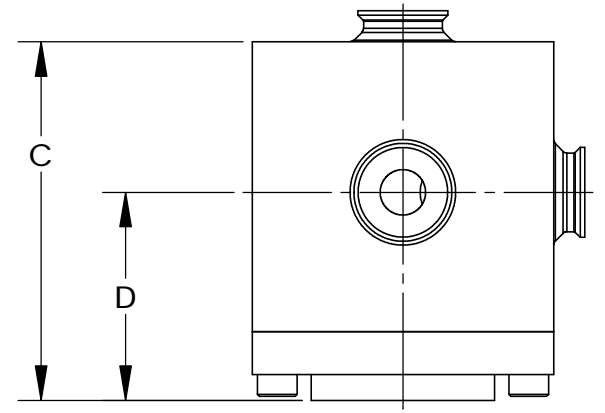
SECTION A-A



3 PORT CONFIGURATION



4 PORT CONFIGURATION



MOUNTING CONFIGURATION  
1" & 2" SPHERES

NOTE - DIMENSIONS SUBJECT TO CHANGE WITHOUT NOTICE.

Model	Part Number	Dimensions [inches]				Port Diameters [inches]			
		A	B	C	D	0 Deg.	90 Deg.	180 Deg.	North Pole
3P-GPS-010-SL	AS-02281-010	1.644	1.644	1.957	1.135	0.25	0.25	n/a	0.25
4P-GPS-010-SL	AS-02291-010	1.644	1.644	1.957	1.135	0.25	0.25	0.25	0.25
3P-GPS-020-SL	AS-02282-020	2.613	2.613	2.925	1.619	1.00	0.50	n/a	0.50
4P-GPS-020-SL	AS-02292-020	2.613	2.613	2.925	1.619	1.00	0.50	0.50	0.50

UNLESS OTHERWISE SPECIFIED  
DIMENSIONS ARE IN INCHES  
TOLERANCES ARE:  
FRACTIONS DECIMALS ANGLES  
±1/64 .XX = ±.01 ±30'  
.XXX = ±0.005

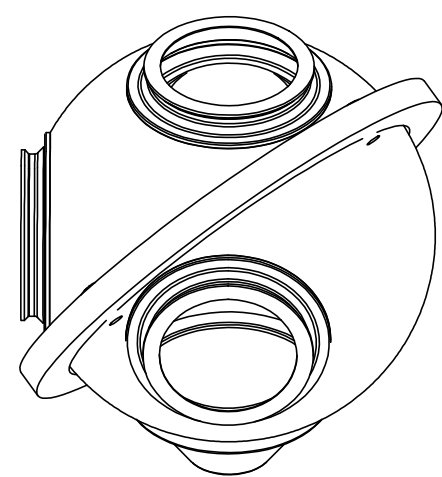
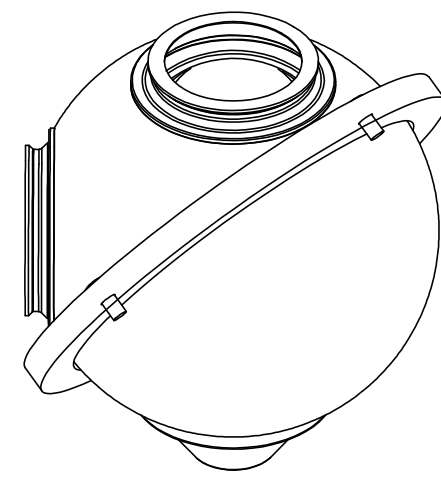
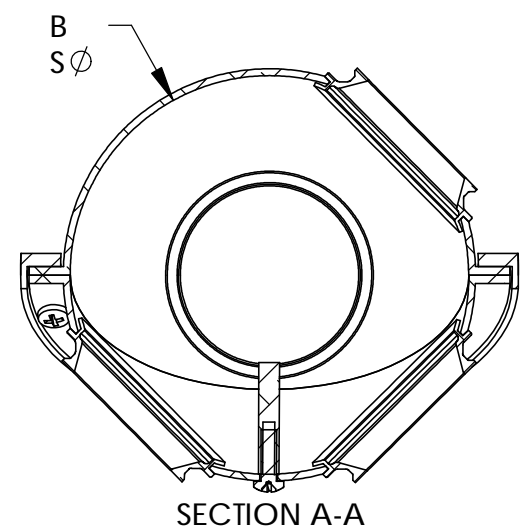
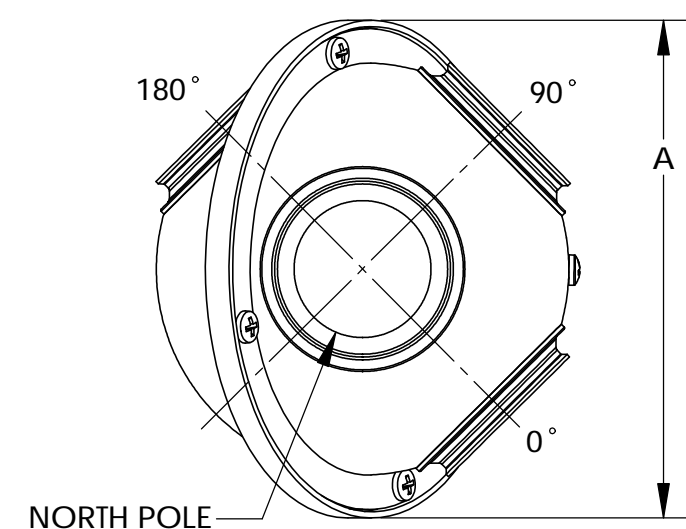
THE INFORMATION CONTAINED  
IN THIS DRAWING IS THE SOLE  
PROPERTY OF labsphere, INC.  
ANY REPRODUCTION IN PART OR  
IN WHOLE WITHOUT THE WRITTEN  
PERMISSION OF labsphere, INC.  
IS PROHIBITED

**labsphere**  
PO BOX 70, NORTH SUTTON, NH 03260

CAD GENERATED DRAWING,  
DO NOT MANUALLY UPDATE  
MATERIAL --  
FINISH --  
DO NOT SCALE DRAWING

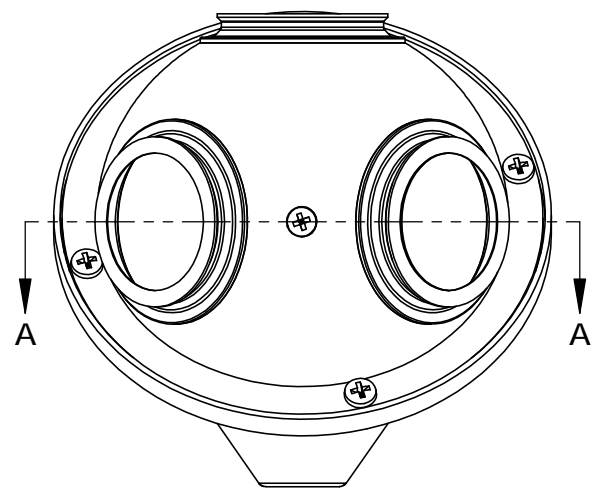
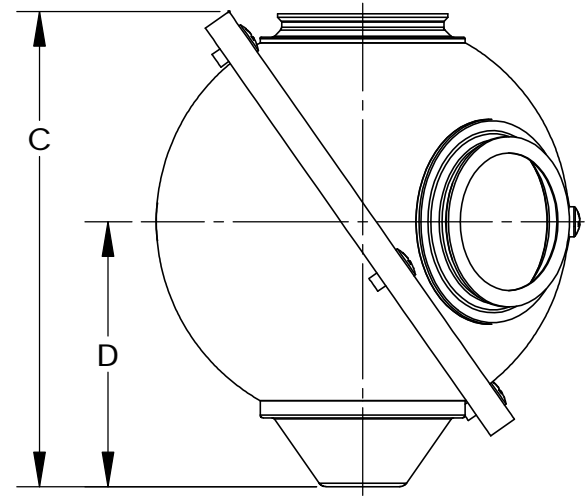
<b>3P &amp; 4P-GPS-CUBE-SL</b>		APPROVALS	DATE	SIZE	SCALE	SHEET 1 OF 1
		RESP ENG C. SHAFFER	10-3-03	B	n/a	
		CHECKED/APPRVD		DWG. NO. 3P & 4P-GPS-CUBE-SL	REV. A	

REVISION			
REV	DESCRIPTION	DATE	APVD
A	INITIAL RELEASE	10/7/03	CDS

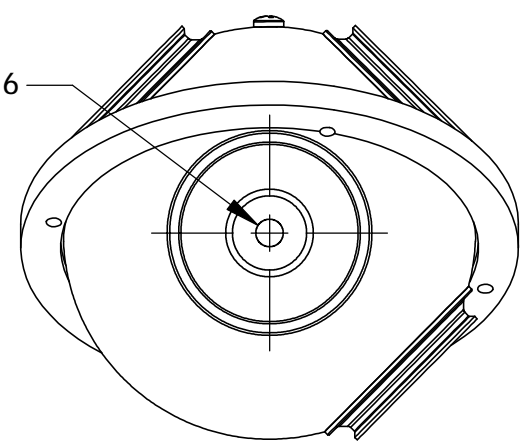


3 PORT CONFIGURATION

4 PORT CONFIGURATION



1/4-20 X 5/16



MOUNTING CONFIGURATION  
3", 4" & 6" SPHERES

NOTE - DIMENSIONS SUBJECT TO CHANGE WITHOUT NOTICE.

Model	Part Number	Dimensions [inches]				Port Diameters [inches]			
		A	B	C	D	0 Deg.	90 Deg.	180 Deg.	North Pole
3P-GPS-030-SF	AS-02253-030	3.62	2.90	3.455	1.927	1.00	1.00	n/a	1.00
3P-GPS-030-IG	AS-02303-030	3.62	2.90	3.455	1.927	1.00	1.00	n/a	1.00
4P-GPS-030-SF	AS-02263-030	3.62	2.90	3.455	1.927	1.00	1.00	1.00	1.00
4P-GPS-030-IG	AS-02313-030	3.62	2.90	3.455	1.927	1.00	1.00	1.00	1.00
3P-GPS-040-SF	AS-02254-040	4.62	3.88	4.547	2.481	1.50	1.00	n/a	1.00
3P-GPS-040-IG	AS-02304-040	4.62	3.88	4.547	2.481	1.50	1.00	n/a	1.00
4P-GPS-040-SF	AS-02264-040	4.62	3.88	4.547	2.481	1.50	1.00	1.00	1.00
4P-GPS-040-IG	AS-02314-040	4.62	3.88	4.547	2.481	1.50	1.00	1.00	1.00
3P-GPS-060-SF	AS-02256-060	7.13	5.90	6.673	3.544	2.50	1.00	n/a	1.00
3P-GPS-060-IG	AS-02306-060	7.13	5.90	6.673	3.544	2.50	1.00	n/a	1.00
4P-GPS-060-SF	AS-02266-060	7.13	5.90	6.673	3.544	2.50	1.00	1.00	1.00
4P-GPS-060-IG	AS-02316-060	7.13	5.90	6.673	3.544	2.50	1.00	1.00	1.00

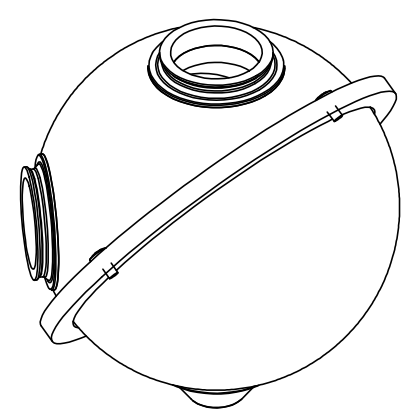
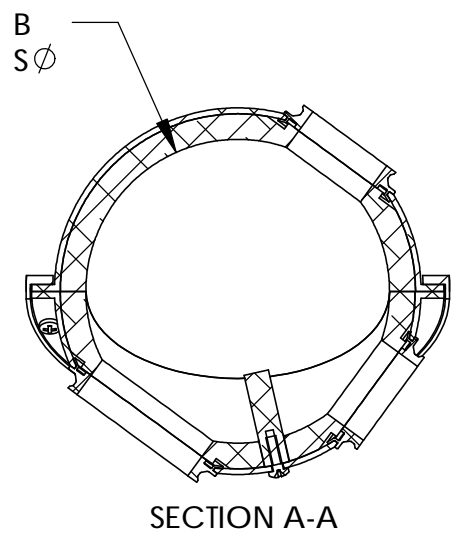
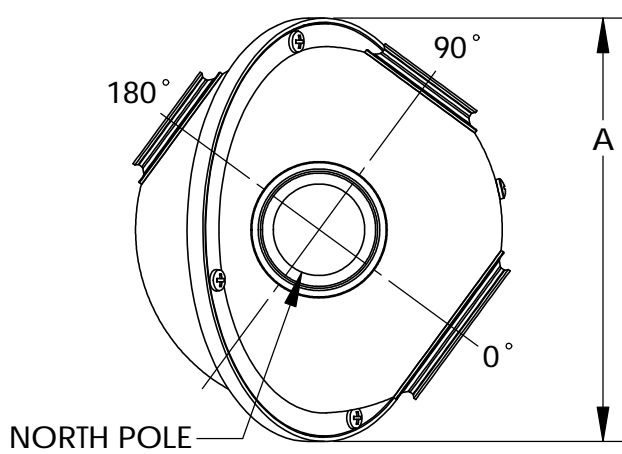
UNLESS OTHERWISE SPECIFIED  
DIMENSIONS ARE IN INCHES  
TOLERANCES ARE:  
FRACTIONS DECIMALS ANGLES  
±1/64 .XX = ±.01 ±30'  
.XXX = ±0.005

THE INFORMATION CONTAINED  
IN THIS DRAWING IS THE SOLE  
PROPERTY OF labsphere, INC.  
ANY REPRODUCTION IN PART OR  
IN WHOLE WITHOUT THE WRITTEN  
PERMISSION OF labsphere, INC.  
IS PROHIBITED

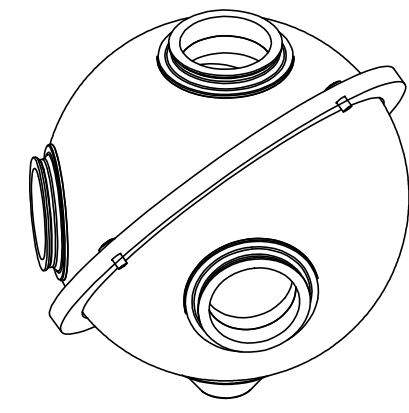
**labsphere**  
PO BOX 70, NORTH SUTTON, NH 03260

CAD GENERATED DRAWING, DO NOT MANUALLY UPDATE		3P & 4P-GPS-SPHER-SF & IG	
MATERIAL	--	APPROVALS	DATE
FINISH	--	RESP ENG C. SHAFFER	10-3-03
DO NOT SCALE DRAWING		CHECKED/APPRVD	
		SIZE	B
		SCALE	n/a
		SHEET 1 OF 1	
		DWG. NO.	3P & 4P-GPS-SPHER-SF & IG
		REV.	A

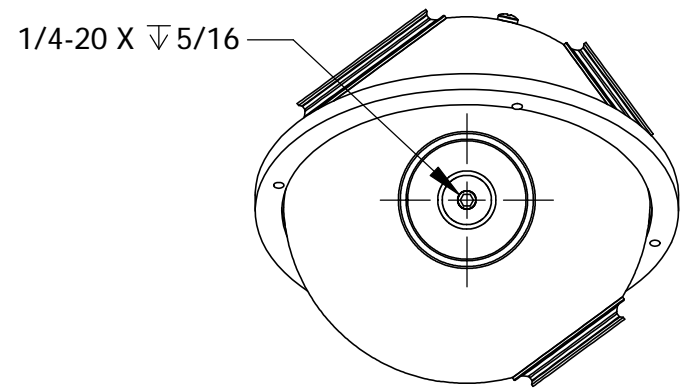
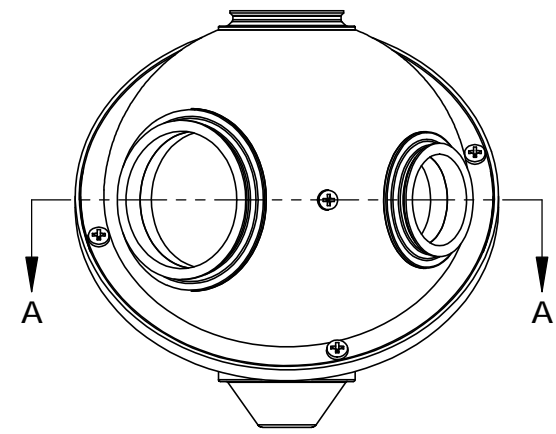
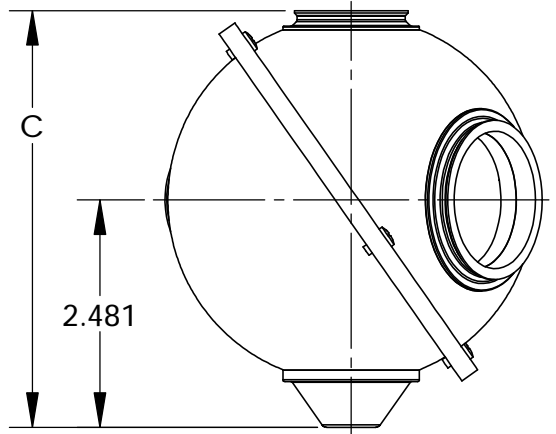
REVISION			
REV	DESCRIPTION	DATE	APVD
A	INITIAL RELEASE	10/7/03	CDS



3 PORT CONFIGURATION



4 PORT CONFIGURATION



MOUNTING CONFIGURATION  
3.3" & 5.3" SPHERES

NOTE - DIMENSIONS SUBJECT TO CHANGE WITHOUT NOTICE.

Model	Part Number	Dimensions [inches]				Port Diameters [inches]			
		A	B	C	D	0 Deg.	90 Deg.	180 Deg.	North Pole
3P-GPS-033-SL	AS-02284-033	4.62	3.313	4.547	2.481	1.50	1.00	n/a	1.00
4P-GPS-033-SL	AS-02294-033	4.62	3.313	4.547	2.481	1.50	1.00	1.00	1.00
3P-GPS-053-SL	AS-02286-053	7.13	5.313	6.673	3.544	2.50	1.00	n/a	1.00
4P-GPS-053-SL	AS-02296-053	7.13	5.313	6.673	3.544	2.50	1.00	1.00	1.00

UNLESS OTHERWISE SPECIFIED  
DIMENSIONS ARE IN INCHES  
TOLERANCES ARE:  
FRACTIONS DECIMALS ANGLES  
±1/64 .XX = ±.01 ±30'  
.XXX = ±0.005

THE INFORMATION CONTAINED  
IN THIS DRAWING IS THE SOLE  
PROPERTY OF labsphere, INC.  
ANY REPRODUCTION IN PART OR  
IN WHOLE WITHOUT THE WRITTEN  
PERMISSION OF labsphere, INC.  
IS PROHIBITED

**labsphere**  
PO BOX 70, NORTH SUTTON, NH 03260

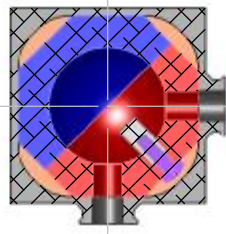
CAD GENERATED DRAWING,  
DO NOT MANUALLY UPDATE  
MATERIAL --  
FINISH --  
DO NOT SCALE DRAWING

<b>3P &amp; 4P-GPS-SPHER-SL</b>		SIZE	B	SCALE	n/a	SHEET 1 OF 1
APPROVALS	DATE					
RESP ENG C. SHAFFER	10-3-03					
CHECKED/APPRVD		DWG. NO.	3P & 4P-GPS-SPHER-SL		REV.	A

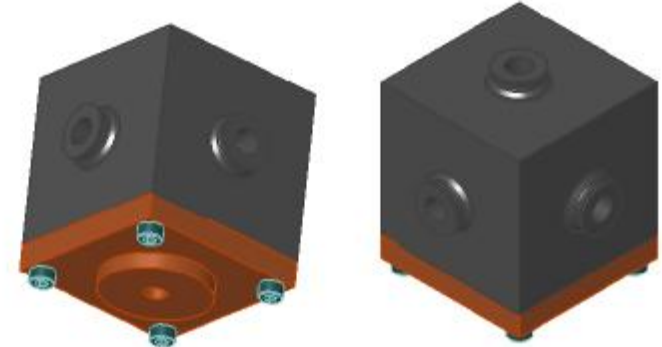
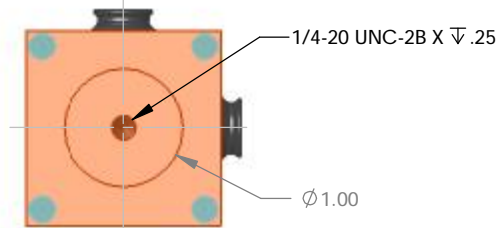
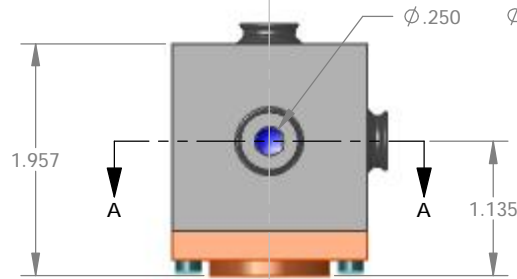
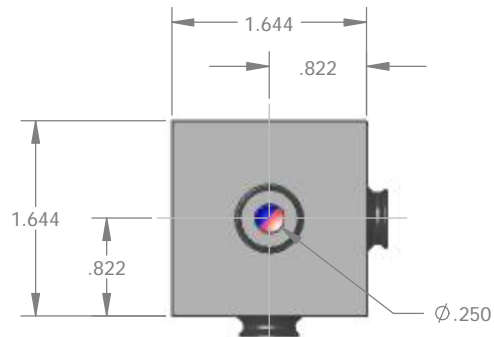
NOTE

1 - DIMENSIONS SUBJECT TO CHANGE WITHOUT NOTICE.

REVISION			
REV	DESCRIPTION	DATE	APVD
1	INITIAL RELEASE	10/02/03	CDS



SECTION A-A



UNLESS OTHERWISE SPECIFIED  
DIMENSIONS ARE IN INCHES  
TOLERANCES ARE:  
FRACTIONS DECIMALS ANGLES  
±1/64 .001 ±30'  
.XXX = ±0.005

CAD GENERATED DRAWING.  
DO NOT MANUALLY UPDATE.

THE INFORMATION CONTAINED  
IN THIS DRAWING IS THE SOLE  
PROPERTY OF Iabsphere, INC.  
ANY REPRODUCTION IN PART OR  
IN WHOLE WITHOUT THE WRITTEN  
PERMISSION OF Iabsphere, INC.  
IS PROHIBITED.

**Iabsphere**  
PO BOX 70, NORTH SUTTON, NH 03260

3P-GPS-010-SL		DATE	10/02/03	SIZE	B	SCALE	1:1	SHEET 1 OF 1
APPROVALS	RESP. ENG.	CHECKED/APPRVD	C. SHAFFER	DWG. NO.	AS-02281-010 CUD	REV.	2	
DO NOT SCALE DRAWING								